



 **NYLACAST**  
ENGINEERING PLASTIC SOLUTIONS



Leading the way with  
**Engineering Plastic Solutions for the  
Construction Industry**





ENGINEERING PLASTIC SOLUTIONS

**Nylacast's Manufacturing Division takes pride in providing its customers with a complete Engineering Solution.**

At the initial enquiry stage Nylacast provide technical assistance in the design criteria for the component and advice on the most suitable material for the application. Nylacast employ the very latest in CAD/CAM linked CNC Machine Tool technology - this ensures the most efficient and cost-effective method of manufacture for any type of component.

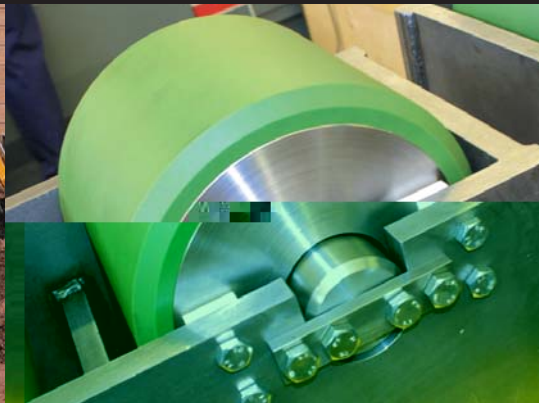
Nylacast have been a major supplier of engineered nylon components to the Construction Industry for over 30 years and have pioneered the use of non-metallic bearings in the most arduous of application. Nylacast currently supply a range of blue chip companies including JCB, Caterpillar, Bell, Volvo, Manitou, John Deere, and Terex. Engineering Components produced by Nylacast are stable, corrosion-resistant, tough and wear-resistant, all of which are critical factors in the harsh working environments often encountered by construction equipment.



# Leading the way with Engineering Plastic Solutions for the Construction Industry

The versatility of Nylacast components sees them being used in many diverse applications within industries including Oil and Gas, Pharmaceutical, Food Processing, Rail, Water Treatment and Automotive, to name but a few. It is Nylacast's technical ability and engineering expertise, backed up by state-of-the-art manufacturing facilities situated worldwide, which has made Nylacast components a number one choice.





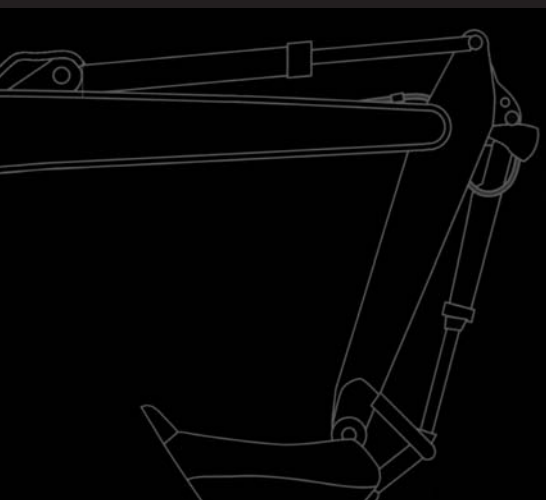
### NYLACAST offer...

- > In-house design facilities
- > Latest CAD/CAM machine tool technology
- > Complex components in any quantity
- > Material selection advice
- > Samples and rapid prototypes
- > Small and large volumes
- > Cost-effective alternatives to metal components
- > Manufacturing bases worldwide



### Components with...

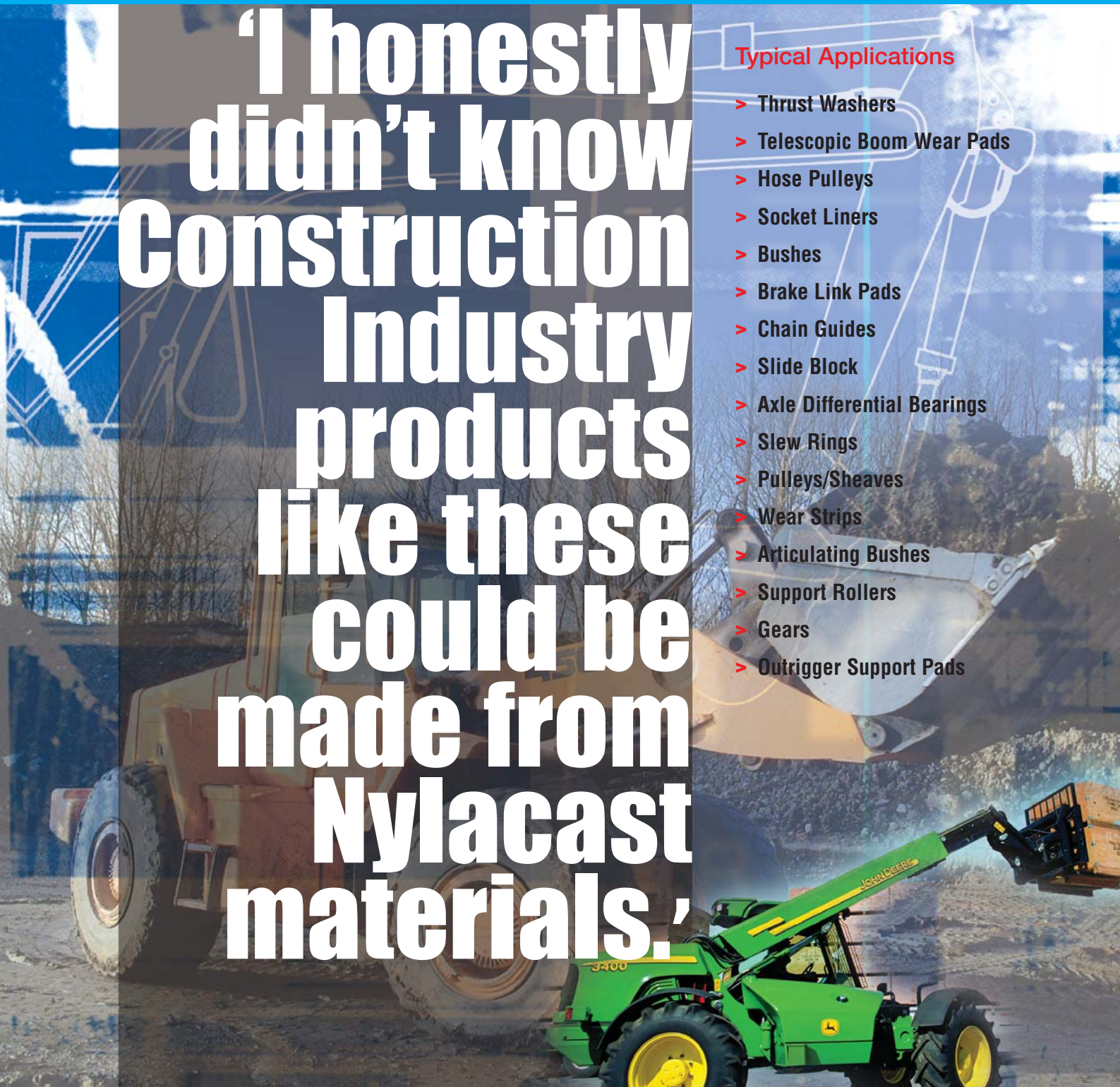
- > Exceptional resistance to wear and abrasion
- > High impact strength
- > Corrosion and chemical resistance
- > Self-lubricating, eliminating routine/costly maintenance
- > Low co-efficient of friction
- > Light weight - typically  $\frac{1}{7}$ th the weight of steel
- > 25 times the life of phosphor bronze
- > High visibility colours for increased safety

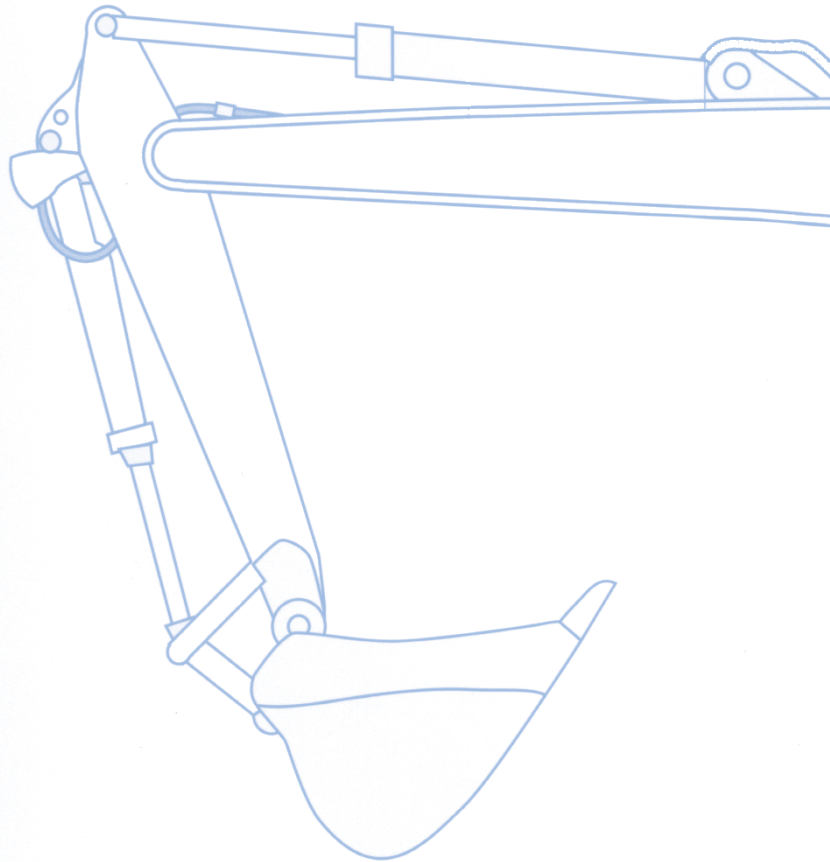


**'I honestly  
didn't know  
Construction  
Industry  
products  
like these  
could be  
made from  
Nylacast  
materials.'**

#### Typical Applications

- > Thrust Washers
- > Telescopic Boom Wear Pads
- > Hose Pulleys
- > Socket Liners
- > Bushes
- > Brake Link Pads
- > Chain Guides
- > Slide Block
- > Axle Differential Bearings
- > Slew Rings
- > Pulleys/Sheaves
- > Wear Strips
- > Articulating Bushes
- > Support Rollers
- > Gears
- > Outrigger Support Pads





 **NYLACAST**  
ENGINEERING PLASTIC SOLUTIONS

**NYLACAST Ltd**

200 Hastings Road, Leicester, LE5 OHL

t. +44 (0)116 276 8558

f. +44 (0)116 274 1954

e. [sales@nylcast.com](mailto:sales@nylcast.com)

[www.nylcast.com](http://www.nylcast.com)